

Model: DF64		Date: 15-Jul-97	No: 1
Modified Article: Parts Catalog Correction		Prepared by: S.Hizen	
From: QAC 1st Field Information Dept.			
Reason for Modification:	<input checked="" type="checkbox"/> Parts catalog correction	<input type="checkbox"/> Vendor change	<input type="checkbox"/> To meet standards
	<input type="checkbox"/> To facilitate assembly	<input type="checkbox"/> To improve reliability	()
	<input checked="" type="checkbox"/> Part standardization	<input type="checkbox"/> Other	

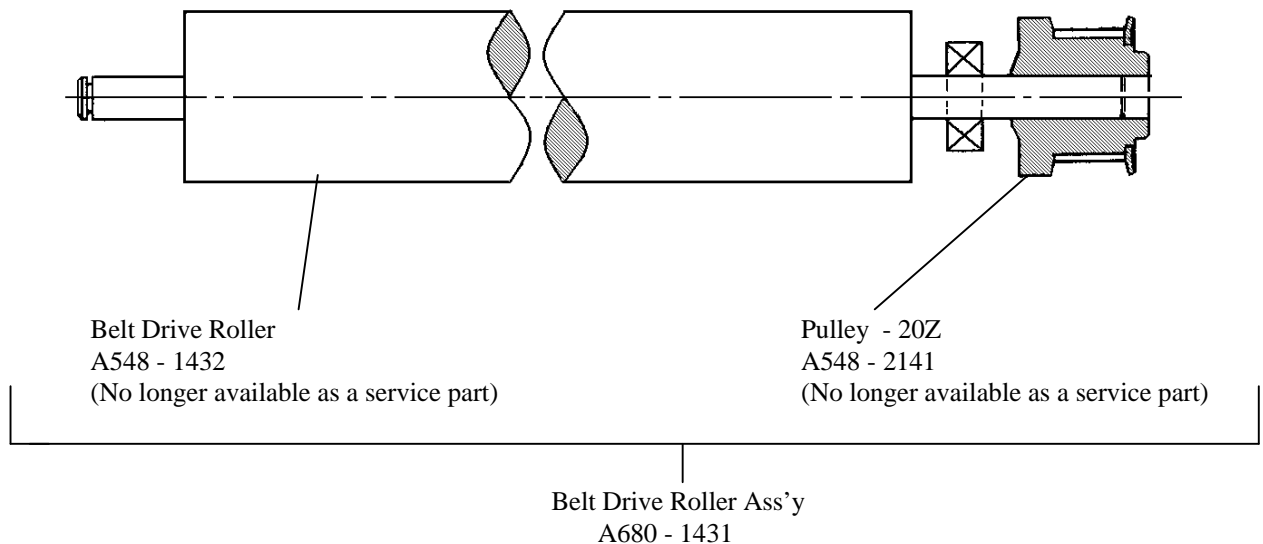
(No serial number cut-in information)

Page 9

Old part number	New part number	Description	Qty	Int	Index	Note
A548-1432		Belt Drive Roller	1		1	
A548-2141		Timing Pulley - 20Z	1		13	
	A680-1431	Belt Drive Roller Ass'y	1	X/O	1	

The individual part numbers for the belt drive roller and the 20Z timing pulley are listed in the parts catalog, but the roller shaft is actually press-fit into the pulley on the production line.

The 20Z pulley cannot be installed on the roller shaft in the field. A part number for the belt drive roller assembly has been assigned instead of separate numbers for the belt drive roller and the timing pulley.

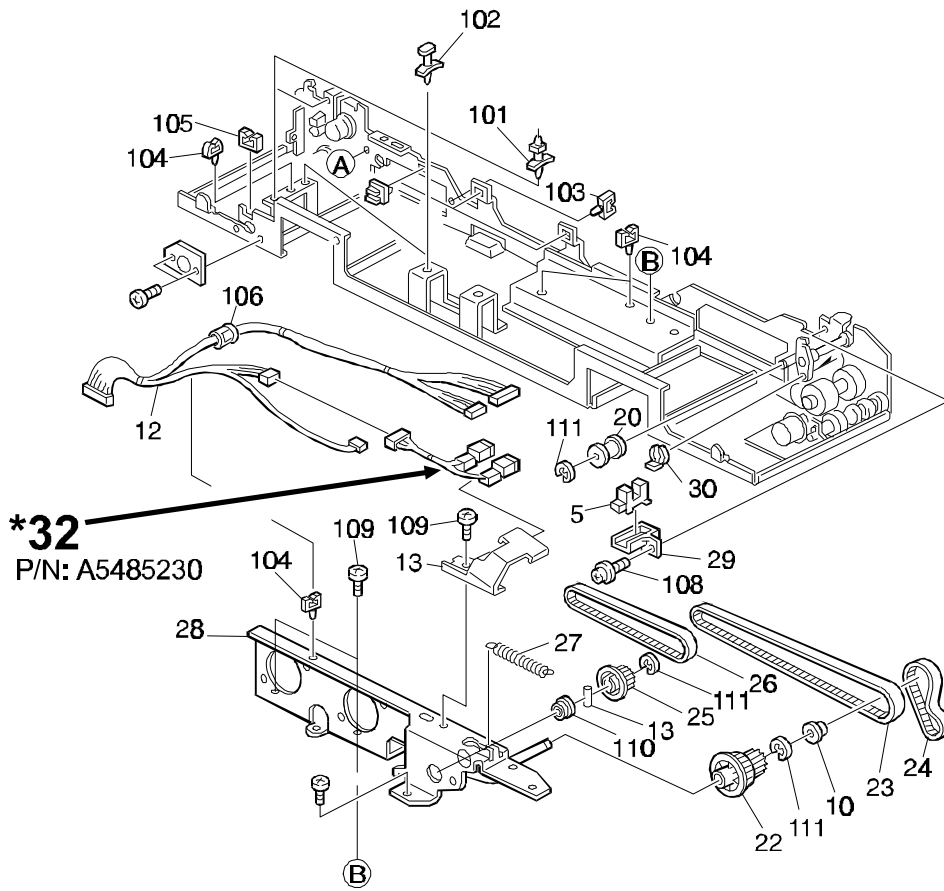


Model: DF64	Date: 15-Jul-97	No: 1
-------------	-----------------	-------

Page 12

The index number was missing in the following illustration.
Please add the missing number as shown below.

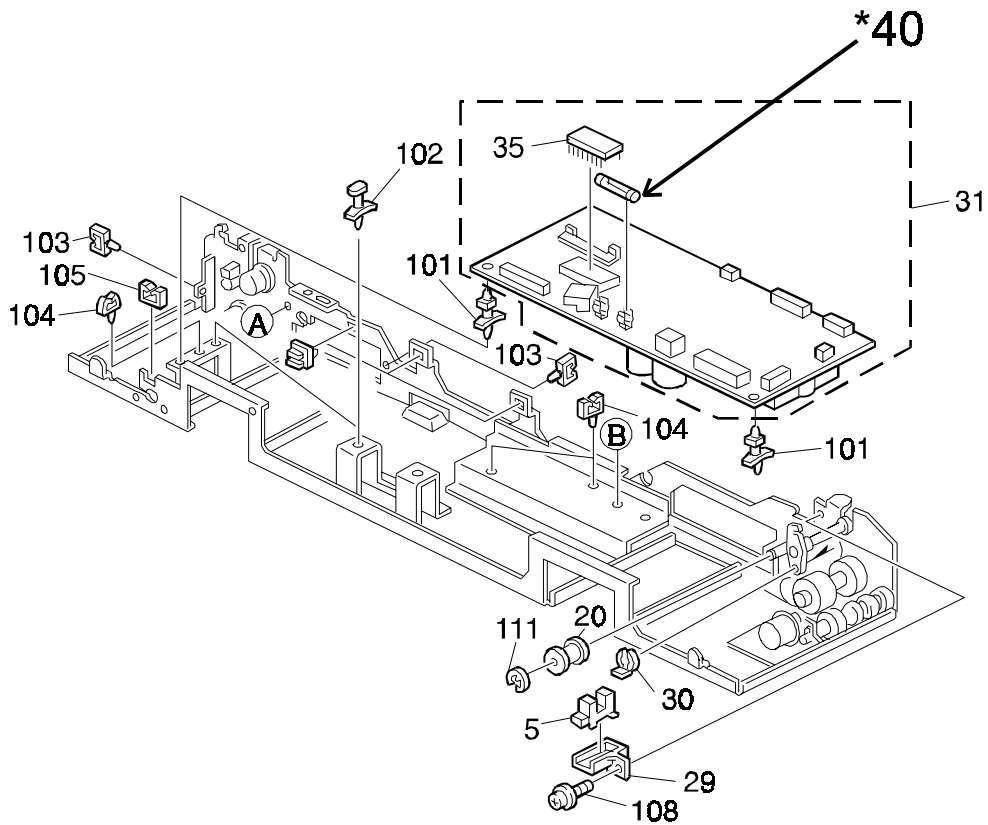
New part number	Description	Qty	Page	Index
A548 5230	Indicator Harness	1	12	32



Model: DF64		Date: 15-Sep-97	No: 2
Modified Article: Parts Catalog Correction		Prepared by: J.Kasamoto	
From: QAC 1st Field Information Dept.			
Reason for Modification:	<input checked="" type="checkbox"/> Parts catalog correction	<input type="checkbox"/> Vendor change	<input type="checkbox"/> To meet standards
	<input type="checkbox"/> To facilitate assembly	<input type="checkbox"/> To improve reliability	()
	<input type="checkbox"/> Part Standardization	<input type="checkbox"/> Other	

Please add the following part to your parts catalog.

New part number	Description	Qty	Page	Index
1107 0750	Fuse - 3.15A 250V	1	13	40

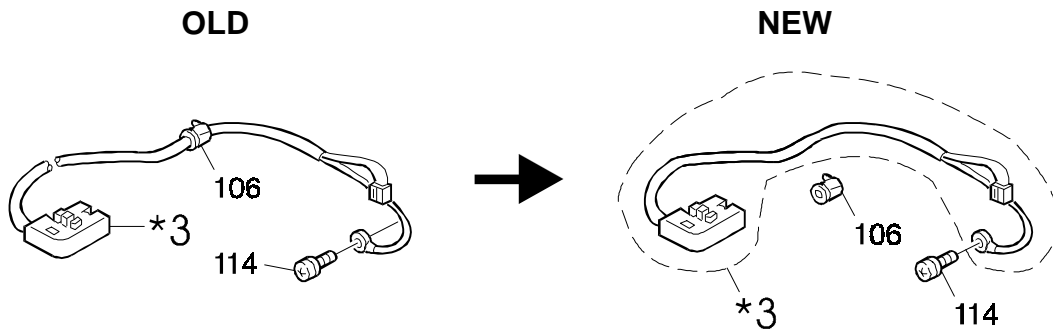


Model: DF64		Date: 15-Nov-97	No: 3
Modified Article: Parts Catalog		Prepared by: M. Kitajima	
From: QAC Field Information Dept.			
Reason for Modification:	<input checked="" type="checkbox"/> Parts catalog correction	<input type="checkbox"/> Vendor change	<input type="checkbox"/> To meet standards ()
	<input type="checkbox"/> To facilitate assembly	<input type="checkbox"/> To improve reliability	
	<input type="checkbox"/> Part Standardization	<input type="checkbox"/> Other	

Please correct your parts catalog as follows:

Page 13

Old part number	New part number	Description	Page	Index
A548 5281	A548 5280	Interface Harness	13	3



MB Correction

Reissued: 09-Mar-01

The items in bold italics have been corrected or added.

Model: DF64		Date: 30-Apr-98	No: MA663004a
Modified Article: Transport Belt		Prepared by: M. Kitajima	
From: Technical Service Dept.,GTS Division			
Reason for Modification:	<input type="checkbox"/> Parts catalog correction	<input type="checkbox"/> Vendor change	<input type="checkbox"/> To meet standards
	<input type="checkbox"/> To facilitate assembly	<input checked="" type="checkbox"/> To improve reliability	()
	<input type="checkbox"/> Part standardization	<input type="checkbox"/> Other	

To increase the tolerance against original jams, the material of the transport belt has been changed. The interchangeability code is O/O.

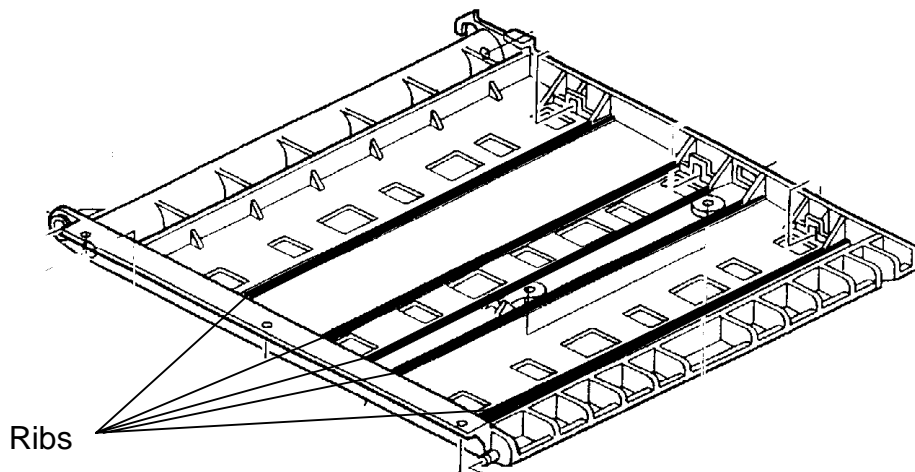
Old part number	New part number	Description	Qty	Int	Page	Index	Note
A5481481	A5481482	Transport Belt	1-1	O/O	9	10	

Model: DF64		Date: 30-Apr-98	No: 5
Modified Article: Transport Base Plate		Prepared by: M.Kitajima	
From: QAC Field Information Dept.			
Reason for Modification:	<input type="checkbox"/> Parts catalog correction	<input type="checkbox"/> Vendor change	<input type="checkbox"/> To meet standards
	<input type="checkbox"/> To facilitate assembly	<input checked="" type="checkbox"/> To improve reliability	()
	<input type="checkbox"/> Part standardization	<input type="checkbox"/> Other	

To prevent the transport base plate from being bent, the height of the five ribs on this part has been increased by 17 mm.

If the transport base plate is bent, an original jam caused by the transport belt stopping may occur.

Old part number	New part number	Description	Qty	Int	Page	Index	Note
A5481412	A6631412	Transport Base Plate	1-1	X/O	9	4	



Model: DF64

Date: 30-Apr-98

No: 5

MODEL NAME	V/ Hz	DESTINATION	CODE	SERIAL NUMBER
DF64	115/ 60	USA, Canada	A663- 15	9A17900001
DF64	220, 240/ 50 115/ 60	Whole World	A663- 17	A7517100458
DF64	220, 240/ 50 115/ 60	Whole World	A663- 22	Service Parts Only
DF64	220, 240/ 50	Europe	A663- 26	3N89070001
DF64	115/60 220, 240/ 50	Whole World	A663- 57	A7517901819
DF64	220, 240/ 50	Europe	A663- 62	AL77900001

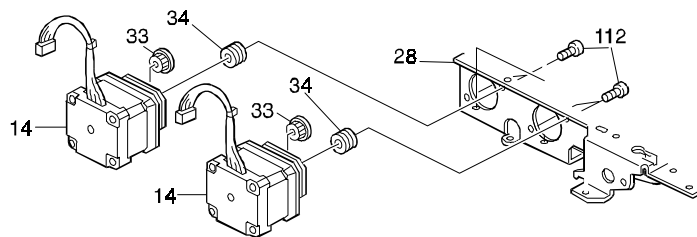
Model: DF64		Date: 30-Apr-98	No: 6
Modified Article: Parts Catalog		Prepared by: J. Kasamoto	
From: QAC Field Information Dept.			
Reason for Modification:	<input checked="" type="checkbox"/> Parts catalog correction	<input type="checkbox"/> Vendor change	<input type="checkbox"/> To meet standards
	<input type="checkbox"/> To facilitate assembly	<input type="checkbox"/> To improve reliability	()
	<input type="checkbox"/> Part standardization	<input type="checkbox"/> Other	

The P/N AX050108 (Stepping Motor: index No.14) does not come with the motor harness. Please add the following part number, and correct the illustration in your parts catalog as follows:

Page 12, 13

New part number	Description	Qty	Page	Index
A663 5270	Motor Harness	2	13	*40

OLD



NEW

